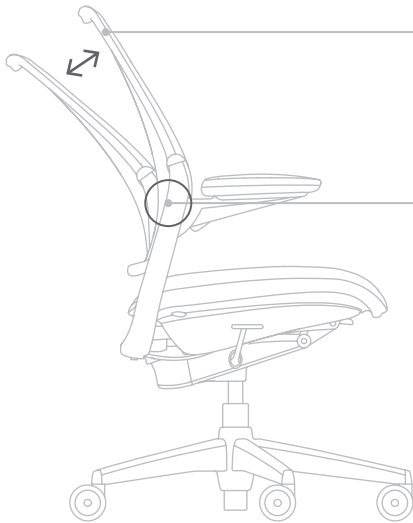


How to Adjust Your Smart Chair

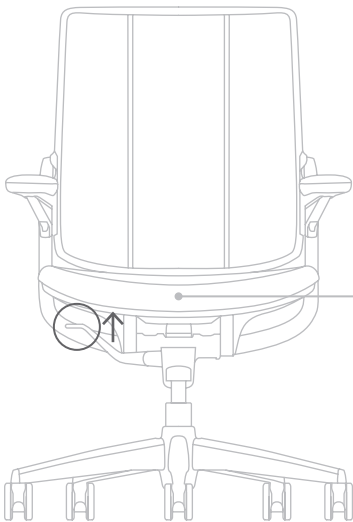


Recline Tension

Diffrient Smart uses an intuitive mechanism that automatically adjusts the recline tension to match your body weight. To set the recline tension, all you have to do is sit. It's that simple.

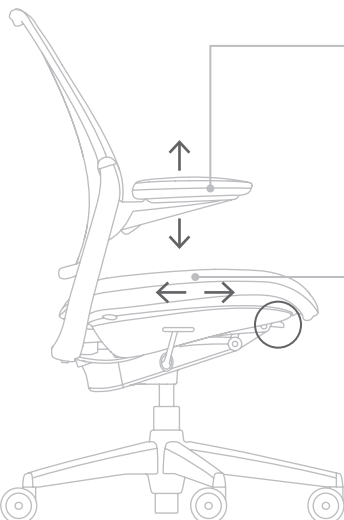
Backrest/Lumbar Support

Using revolutionary Form-Sensing Mesh Technology, Diffrient Smart provides perfect support while automatically adjusting to your unique shape. To properly fit the backrest/lumbar support to your body, all you have to do is sit back in the chair and allow Diffrient Smart to do the rest.



Seat Height

Lift the lever under the right side of the seat cushion and position the chair to a comfortable height, with your thighs parallel to the floor and your feet fully supported by the floor or a footrest. Release lever.



High-Performance Armrests

(optional feature)

Hold the armrests and move laterally to adjust them side-to-side.

To adjust the armrests forward or backward, push the armrests away from or toward you. Use the button where the armrest meets the frame to vertically adjust them.

Seat Depth

Lift the lever under the forward edge of the seat and slide seat to a position such that when you're sitting with your back fully against the backrest, there is at least one inch of clearance between the front edge of the seat and the back of your knees. Release lever.