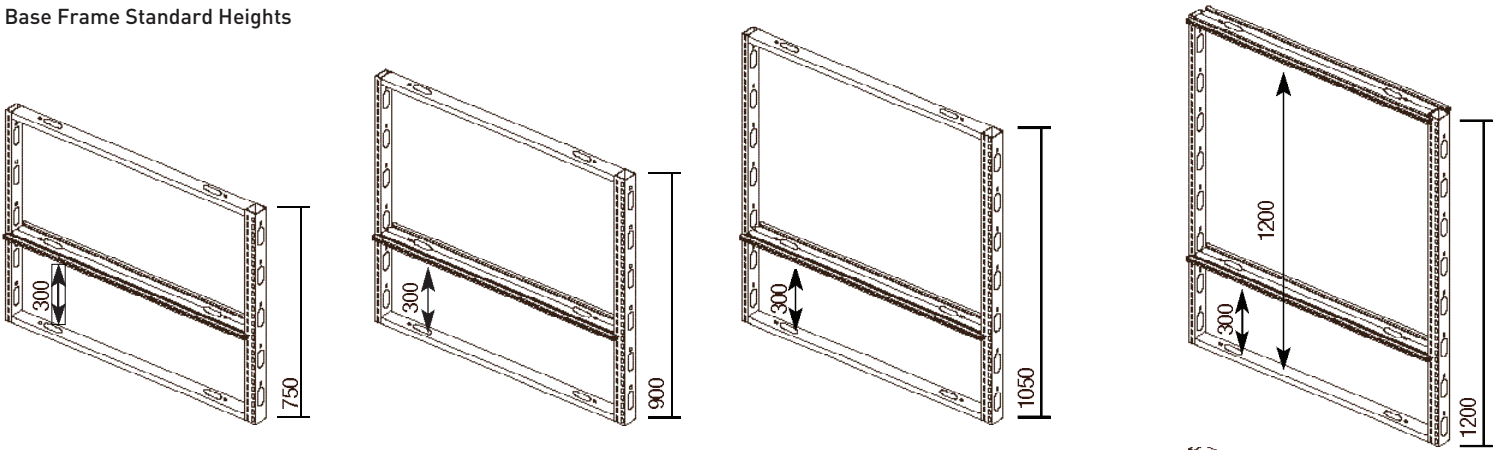
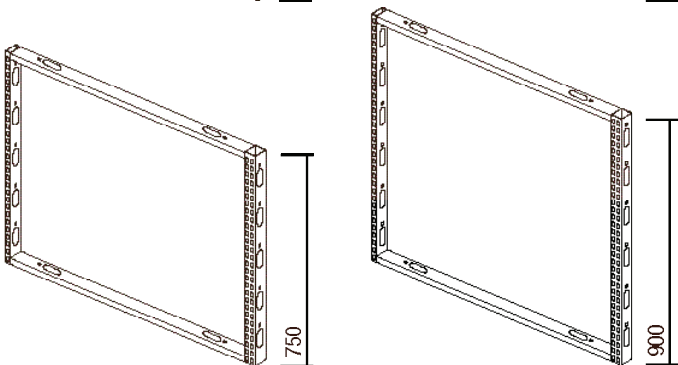
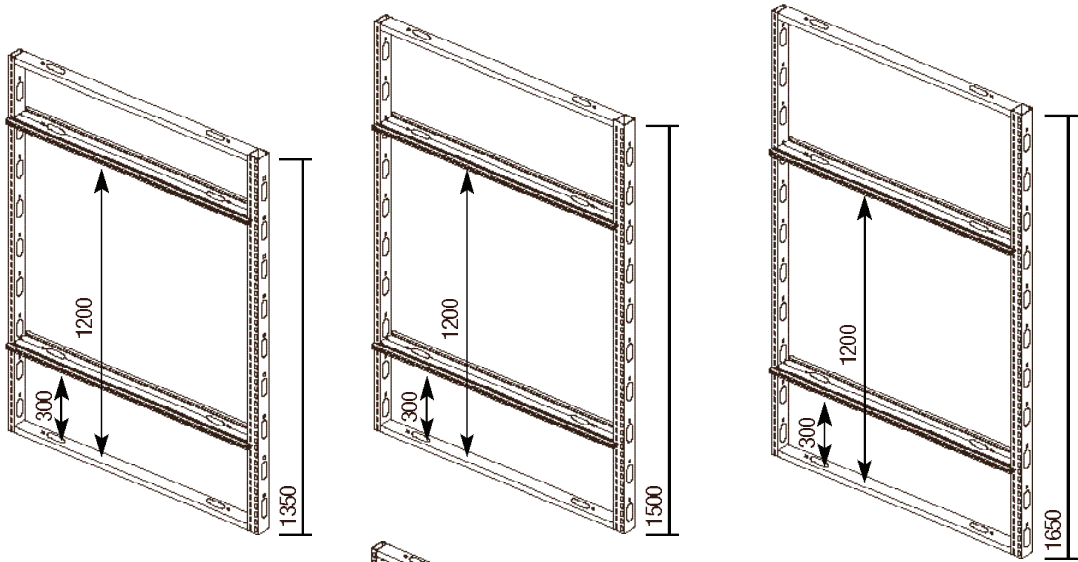
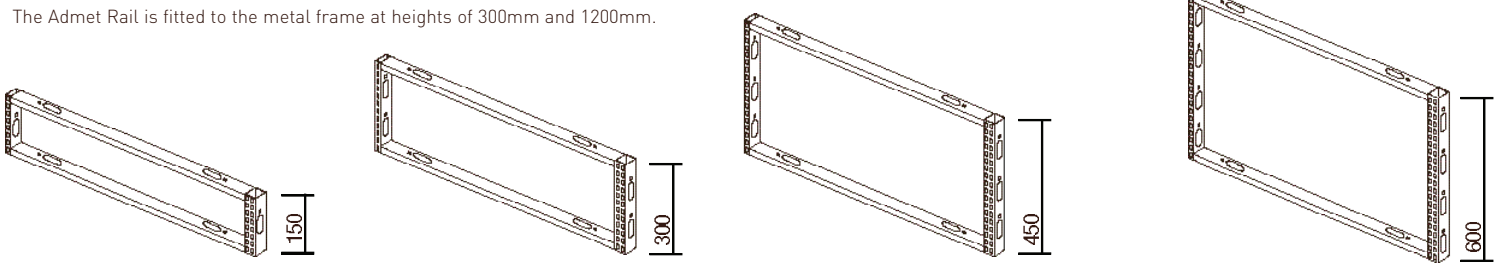


Specifications

Base Frame Standard Heights

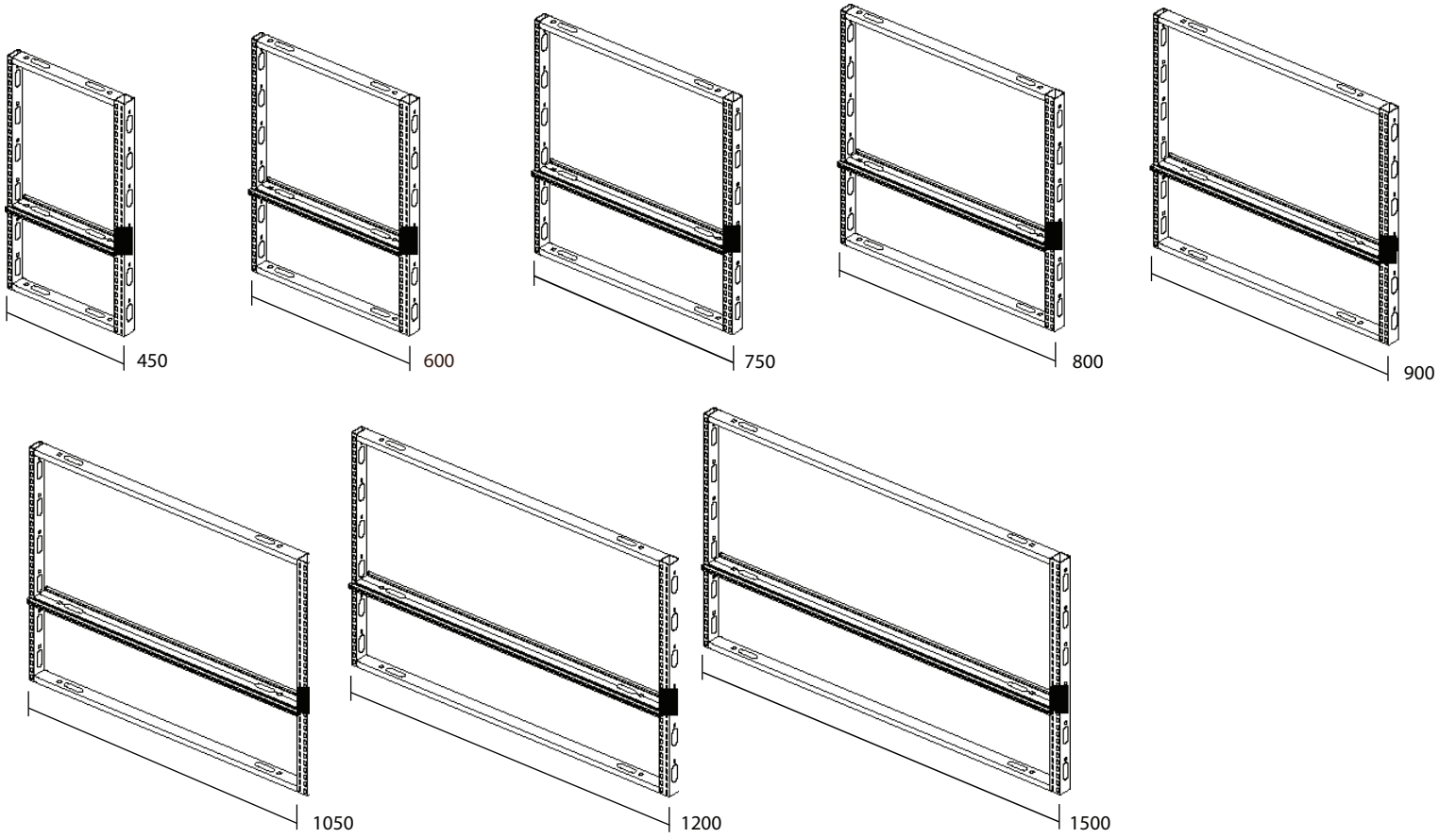


The Admet Rail is fitted to the metal frame at heights of 300mm and 1200mm.

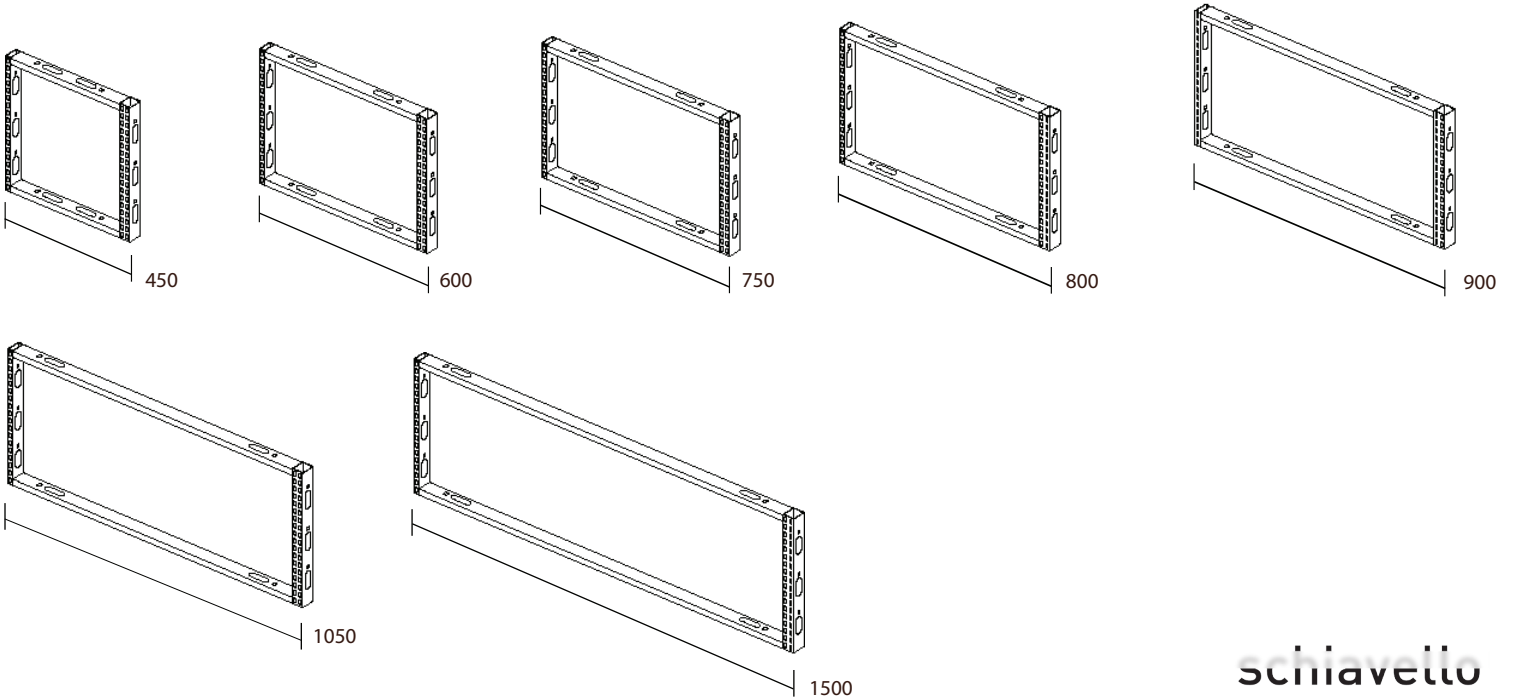


Specifications

Base Frame Standard Widths

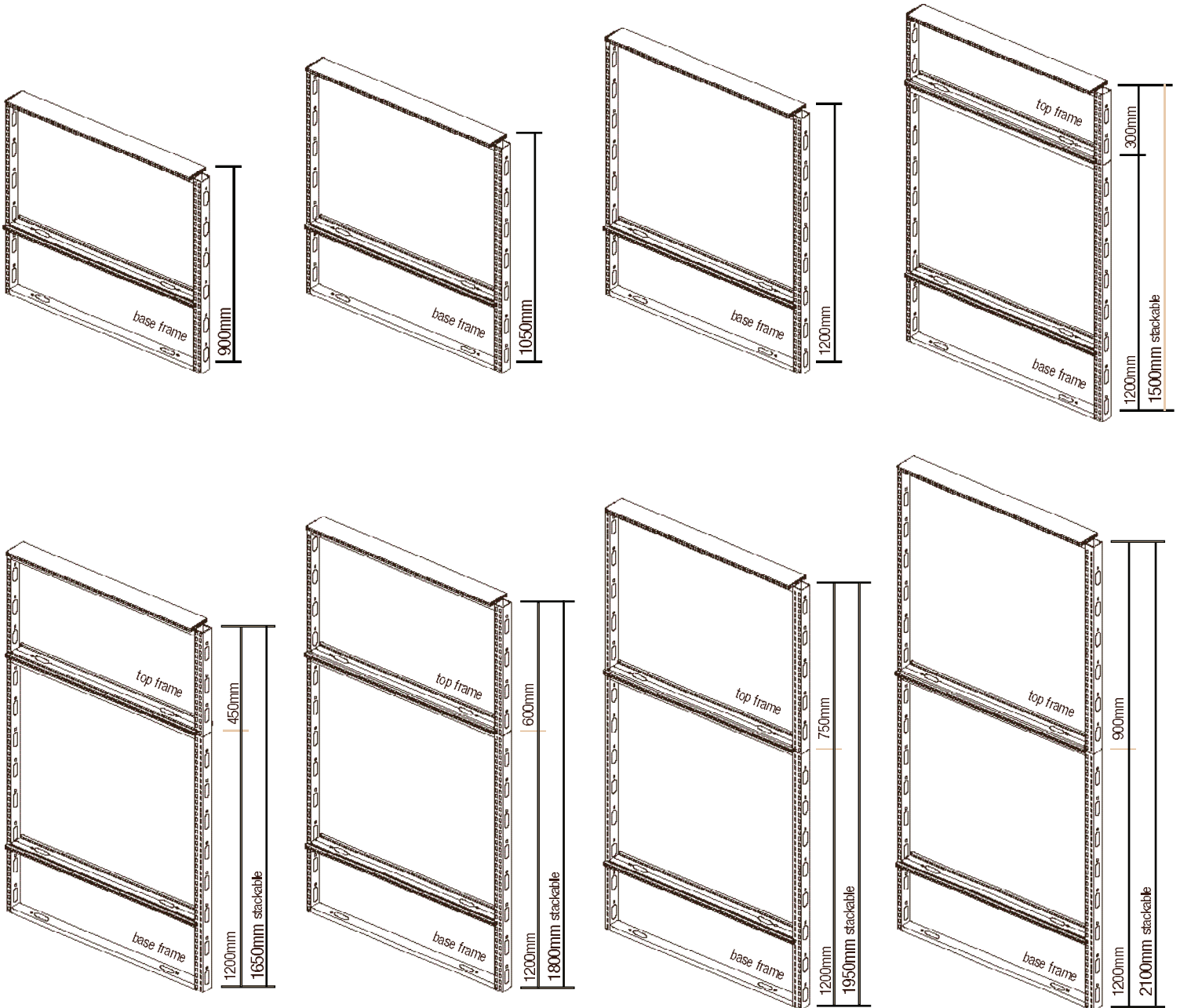


Top Frame Standard Widths



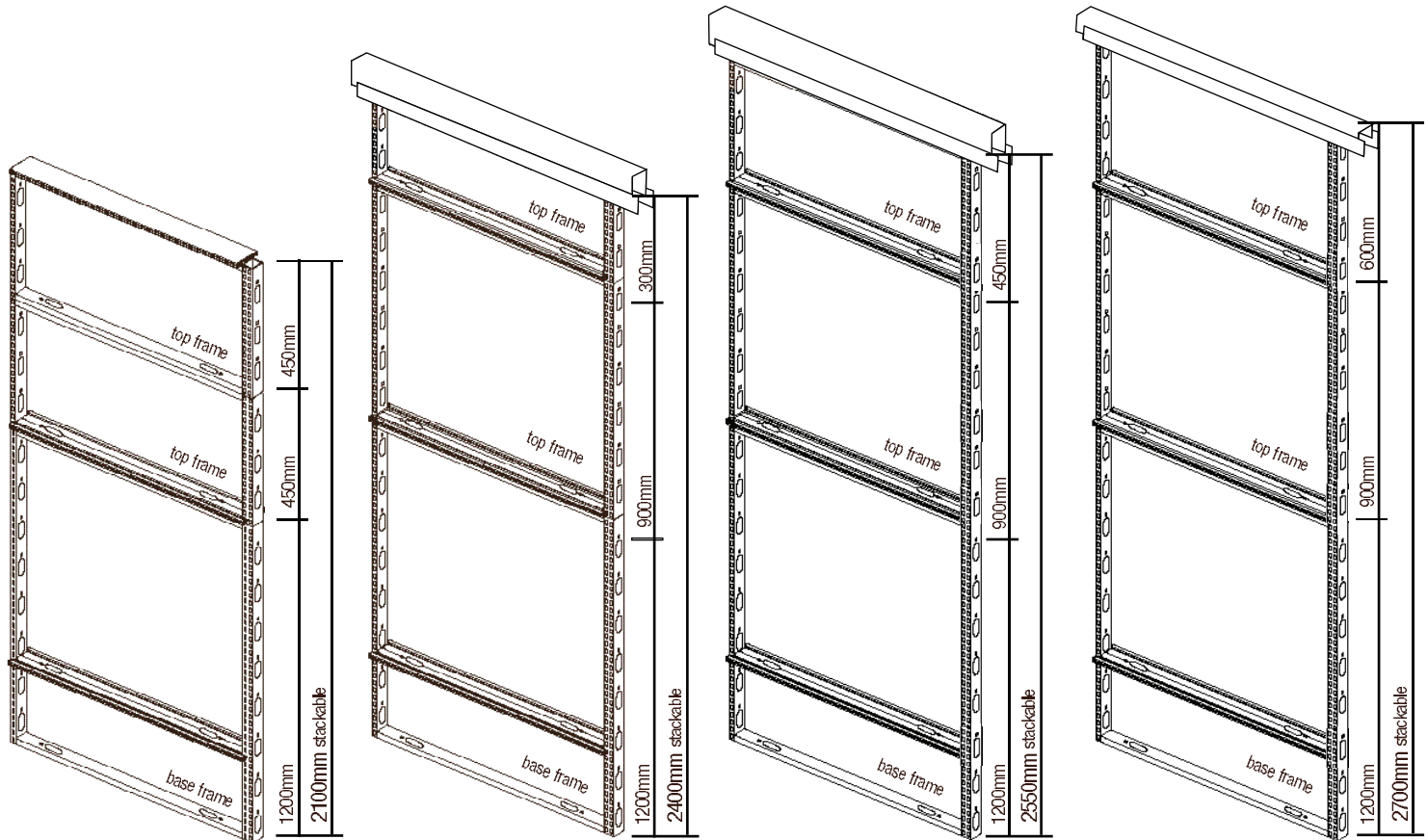
Specifications

Frame Stackability



Specifications

Frame Stackability



All measurements are in millimeters