

Qi In-desk Wireless Charger 15W

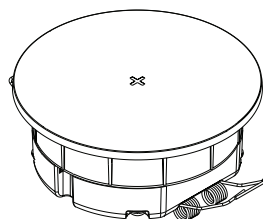
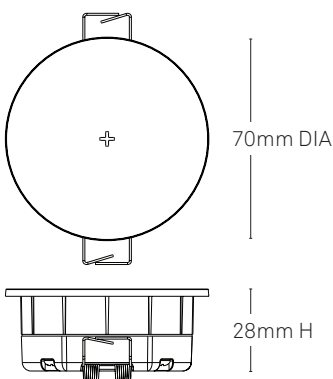


Key features	Materials & standard finish	Compliance & testing
<ul style="list-style-type: none"> Provides efficient wireless charging for Android, Apple and other smart phone brands, as well as other Qi compatible devices Supports 15W charging power, directly charging Qi standard devices. Auto reverts to trickle charging once device is fully charged Easy-to-install Spring Clip feature Allows a cable-free environment Robust design Small compact unit 	<p>Made from a PC-ABS bay blend, a self-extinguishing plastic specifically designed for electrical parts</p> <p>Standard finish in white and black (textured) other colours available on application dependant on quantity</p>	<p>EMC Compliance and safety testing to: AS/NZS 62368.1:2018</p> <p>Compatible and tested with: Samsung S21 5g, Samsung S8, iPhone12, iPhone 13 pro, iPhone X Samsung note, Huawei Mate20pro, iPhone 12mini, Xiaomi10, Sony XPERIA 1 lIx</p>
Specifications	Downloads	

Input Voltage: 11.5–24.5V
Input Current: 0–2 A DC
Output: 15W
Charging distance: 3–7mm

- Made from a PC-ABS bay blend, a self-extinguishing plastic specifically designed for electrical parts
- Face is 70mm dia with an overall height of 28mm, the Qi charger can be located within the allocated zones on a worktop and sits slightly proud of the work surface at 2.5mm
- Powered by a 24V DC power supply, supplied with unit

[Product warranty](#)
[Care & maintenance](#)



Disclaimer:

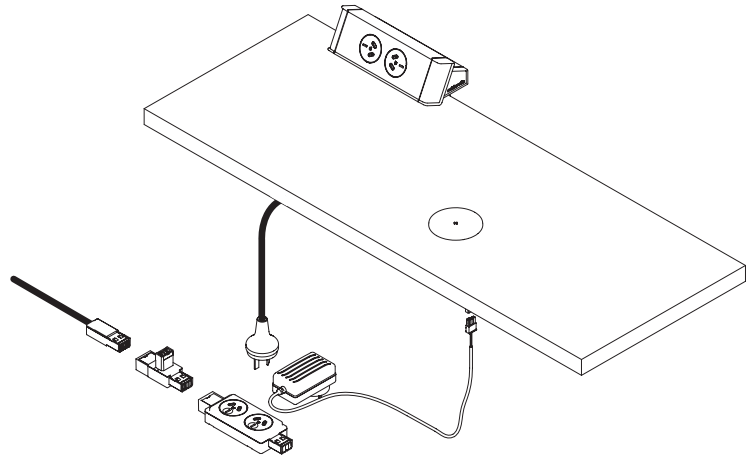
The manufacturer reserves the right to change any details of the above Product/s without prior notice. All dimensions and weights stated within this document are nominal and/or approximate only and subject to variation.

Qi In-desk Wireless Charger 15W

Scenario A

15W Qi charger is connected via a power supply, this is plugged into a GPO socket located below the desk in a cable tray or wire basket.

Qi charger cables are clipped away under the desk using the P-Clips provided.



Scenario B

15W Qi charger is connected via a power supply this is plugged into a GPO socket located below the desk in a cable tray or wire basket.

An additional lead is used to bring power to the next cluster of desks.

Qi chargers cables are clipped away under the desk using the P-Clips provided.

Image below showing P-Clips to secure cable back to wire basket.

