

In-desk USB A&C Charger 100W

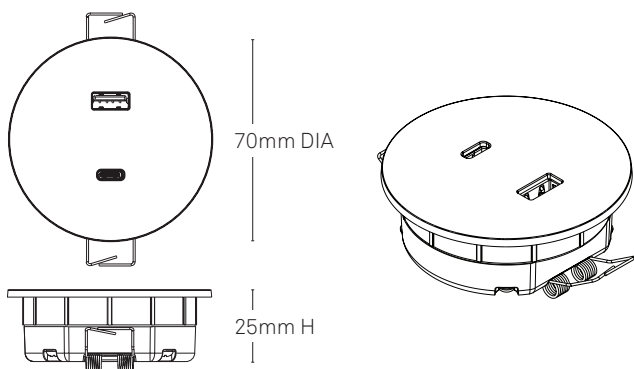


Key features	Materials & Standard finish	Compliance
<ul style="list-style-type: none"> Integrated overcurrent protection Easy-to-install Spring Clip feature Robust design Small compact unit 	<p>Made from a PC-ABS bay blend, a self-extinguishing plastic specifically designed for electrical parts</p> <p>Standard finish in white and black (textured) other colours available on application dependant on quantity</p>	EMC Compliance and safety testing to: AS/NZS 62368.1:2018

Specifications	USB	Output
Power: 100W	A	5Vdc/3A, 9Vdc/3A, 12Vdc/2.5A
Input Voltage: 21-24VDC 100W	C	5Vdc/3A, 9Vdc/3A, 12Vdc/3A, 15Vdc/3A, 20Vdc/5A
Output: see table	A + C (combined)	5Vdc/3A, 9Vdc/3A, 12Vdc/2.5A, 5Vdc/3A, 9Vdc/3A, 12Vdc/3A, 5Vdc/3A 20Vdc/3.25A
<ul style="list-style-type: none"> Made from a PC-ABS bay blend, a self-extinguishing plastic specifically designed for electrical parts Face is 70mm dia with an overall height of 25mm, the USB A&C in -desk 100w Charger can be located within the allocated zones on a worktop and sits slightly proud of the work surface at 2.5mm Powered by a 21-24V DC power supply, supplied with unit 		

Downloads

- [Product warranty](#)
- [Care & maintenance](#)



Disclaimer:

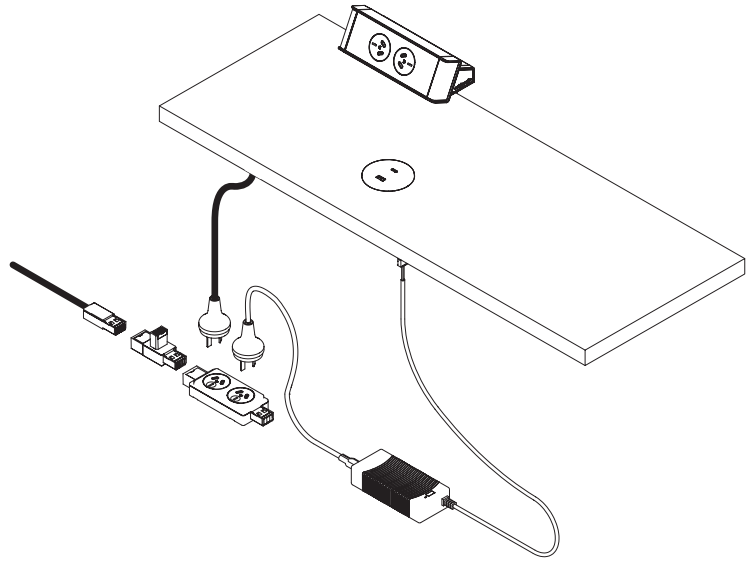
The manufacturer reserves the right to change any details of the above Product/s without prior notice. All dimensions and weights stated within this document are nominal and/or approximate only and subject to variation.

In-desk USB A&C Charger 100W

Scenario A

100W USB A&C in desk charger is connected via a three pin plug from the power supply, this is plugged into a GPO located below the desk in a cable tray or wire basket.

USB A&C cables are clipped away under the desk using the P-Clips provided.



Scenario B

100W USB A&C in desk charger is connected via an installation lead from the power supply into a junction located below the desk in a cable tray or wire basket.

USB A&C cables are clipped away under the desk using the P-Clips provided.

Image below showing P-Clips to secure cable back to wire basket.

